

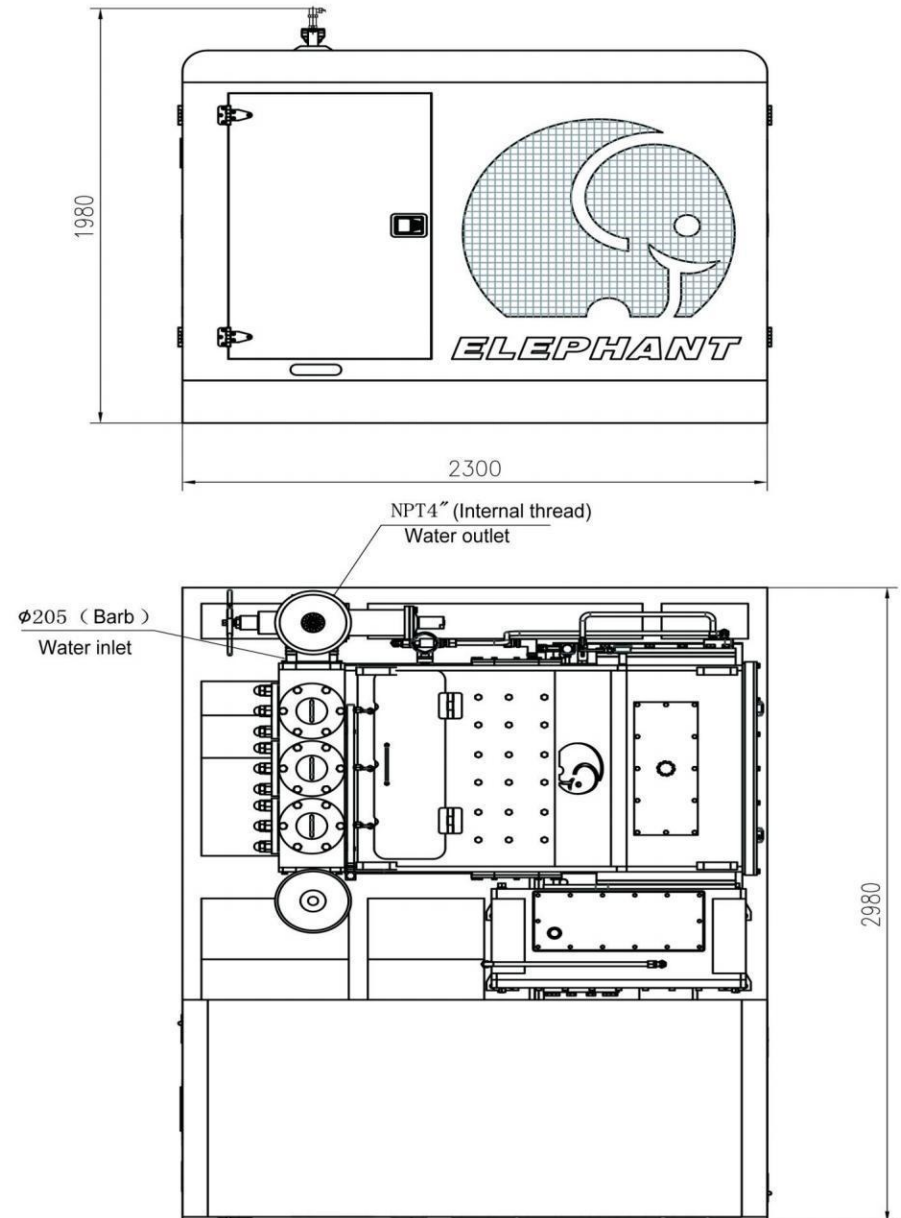
# DBWH-3000



The DBWH-3000 reciprocating pump is a horizontal three-cylinder reciprocating single-acting piston pump, driven by a permanent magnet synchronous motor, which is highly efficient, energy-saving, and environmentally friendly. It is primarily used in conjunction with approximately 500-ton trenchless drilling rigs, and can also be utilized for other applications such as grouting, mine drainage, and long-distance water delivery. The pump offers a wide range of flow and pressure regulation, with remote stepless speed control via a controller, allowing for constant power output with changes in flow and pressure, thereby transforming the traditional manual gear-shifting operation mode. The pump incorporates new concepts and structures; it is compact in design, aesthetically pleasing, easy to install and maintain, with a longer lifespan for wear parts and stable performance.

Horizontal triplex reciprocating single acting piston pump	
Stroke (mm)	175
Cylinder diameter (mm)	200
Flow (L/min)	3000-1500
Pressure (MPa)	5-10
Rated power (KW)	300
Dimensions (mm)	2980 × 2300 × 1980
Weight (kg)	7200
Rated speed (r/min)	3500
Motor model	Permanent Magnet Synchronous Motor
Control mode	Wireless, wired remote control and display monitoring, local control

## DBWH-3000 外形尺寸简图

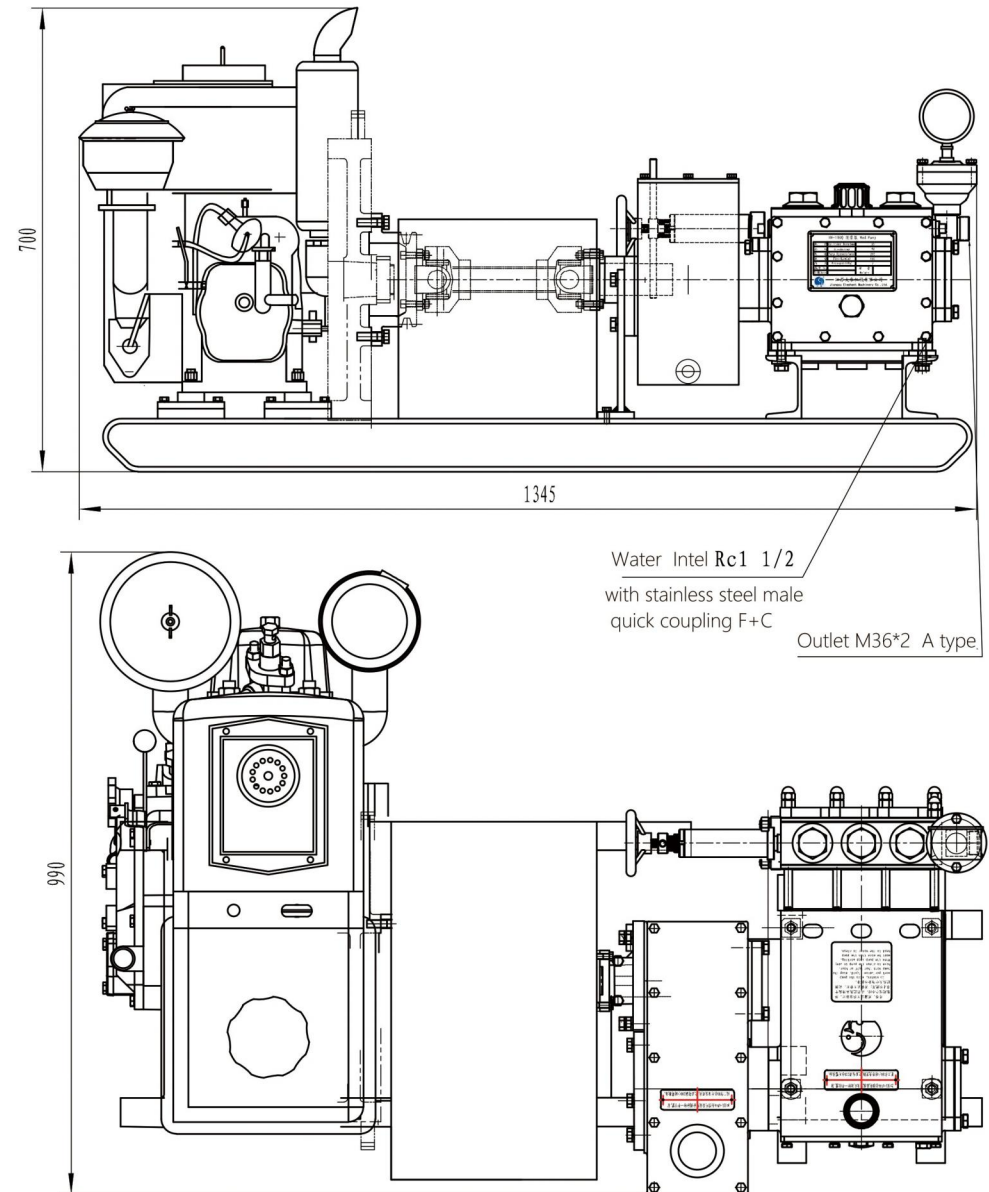




The CBW-100Q reciprocating pump is a horizontal triplex reciprocating single-acting piston pump, driven by a single-cylinder diesel engine and transmitted through a reduction gearbox with a coupling. It is mainly used to convey flushing fluid into the borehole during geological core drilling, and can also be used for grouting, sewage discharge, and long-distance water delivery for other purposes. It can be used for drilling and backout with different diameters. The design adopts new concepts, new structures, new materials, and new processes; it is compact in structure, light in weight, small in size, and aesthetically pleasing; it is easy to install and maintain; and it has the characteristics of high output pressure, long service life of vulnerable parts, and stable performance.

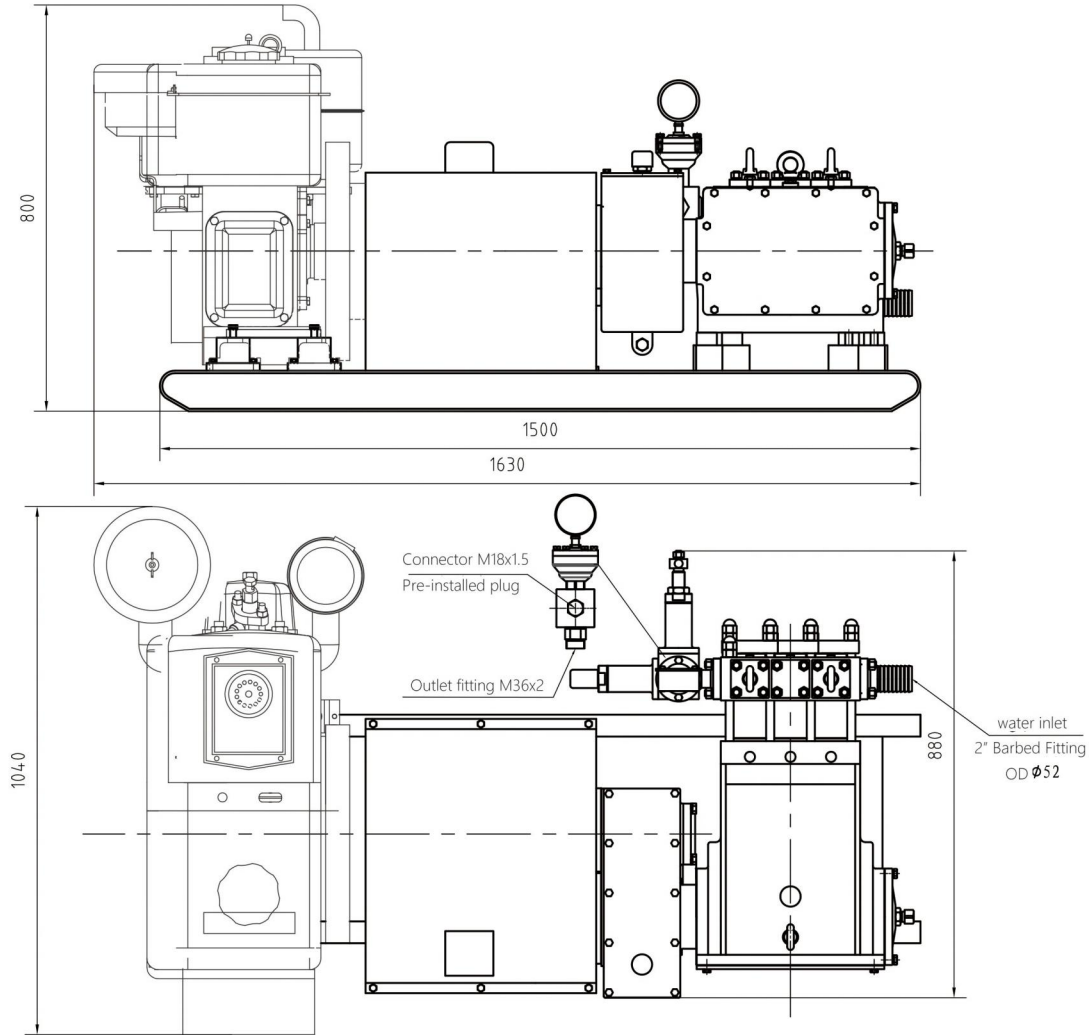
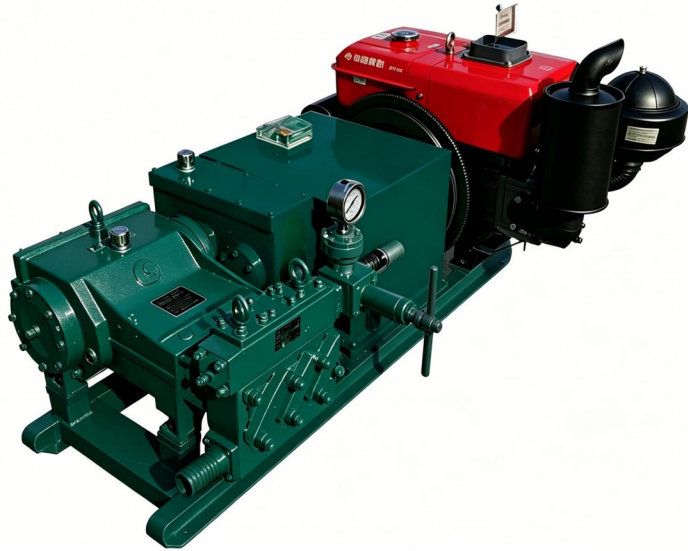
Horizontal triplex reciprocating single acting piston pump		
Stroke (mm)		48
Cylinder diameter (mm)		55
Flow (L/min)		100
Pressure (MPa)		7
Input speed (r/min)		295
Input power (kw)		14
Dimensions (mm)		1345 × 990 × 700
Weight (kg)		415
Diesel engine model		ZS1115
Diesel Engine Power (KW)		16

The product specifications and images provided may change due to design improvements and upgrades. Please feel free to inquire for more information.



# CBW-105Q

# CBW-105Q Outline Dimension Drawing



The CBW-105Q reciprocating pump is a horizontal triplex reciprocating single-acting piston pump, driven by a single-cylinder diesel engine and transmitted through a coupling reducer. It is mainly used to deliver flushing fluid to the borehole during geological core drilling, and can also be used for grouting, sewage discharge, and long-distance water delivery in other applications. It can be adapted to different borehole diameters for drilling and backfilling. The design incorporates new concepts, new structures, new materials, and new processes; with compact structure, light weight, small size, and beautiful appearance; installation and maintenance are convenient; it has the characteristics of high output pressure, longer service life of vulnerable parts, and stable performance.

Horizontal triplex reciprocating single acting piston pump	
Stroke (mm)	60
Cylinder diameter (mm)	50
Flow (L/min)	105
Pressure (MPa)	10
Input speed (r/min)	300
Input power (kw)	21
Dimensions (mm)	1630 × 1040 × 800
Weight (kg)	600
Diesel engine model	L32
Diesel Engine Power (KW)	23

The product specifications and images provided may change due to design improvements and upgrades. Please feel free to inquire for more information.

# CBW-150Q

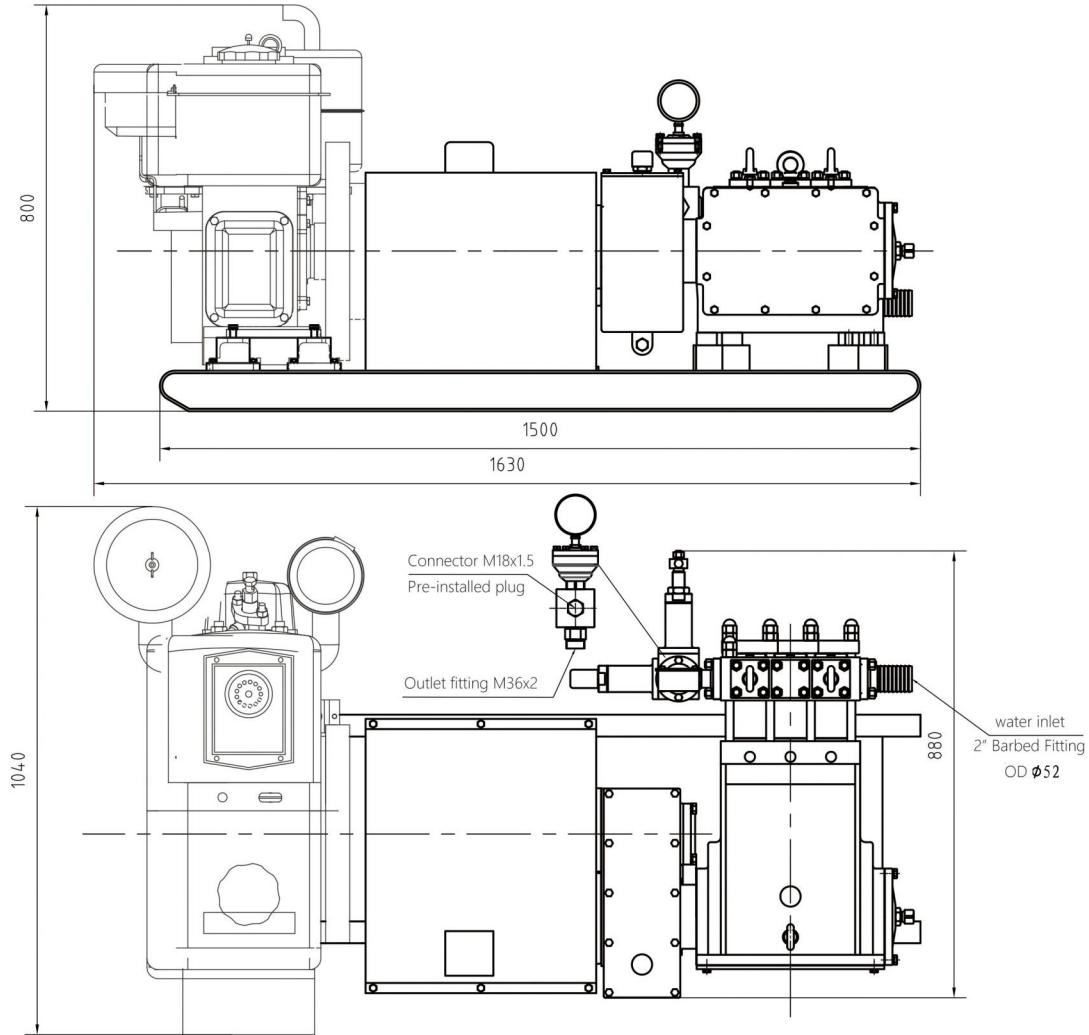


CBW-150Q reciprocating pump is a horizontal triplex reciprocating single-acting piston pump driven by a single-cylinder diesel engine and transmitted through a coupling reducer. It is mainly used to transport flushing fluid into the borehole during geological core drilling, and can also be used for other applications such as grouting, sewage discharge, and long-distance water delivery. It can be adapted to drilling and back-pulling of different diameters. In terms of design, new concepts, new structures, new materials, and new processes are adopted. The structure is compact, lightweight, small in size, and beautiful in appearance. It is easy to install and maintain, with high output pressure, long service life of vulnerable parts, and stable performance.

Horizontal triplex reciprocating single acting piston pump	
Stroke (mm)	60
Cylinder diameter (mm)	60
Flow (L/min)	150
Pressure (MPa)	7
Input speed (r/min)	295
Input power (kw)	21
Dimensions (mm)	1630 × 1040 × 800
Weight (kg)	600
Diesel engine model	L32
Diesel Engine Power (KW)	23

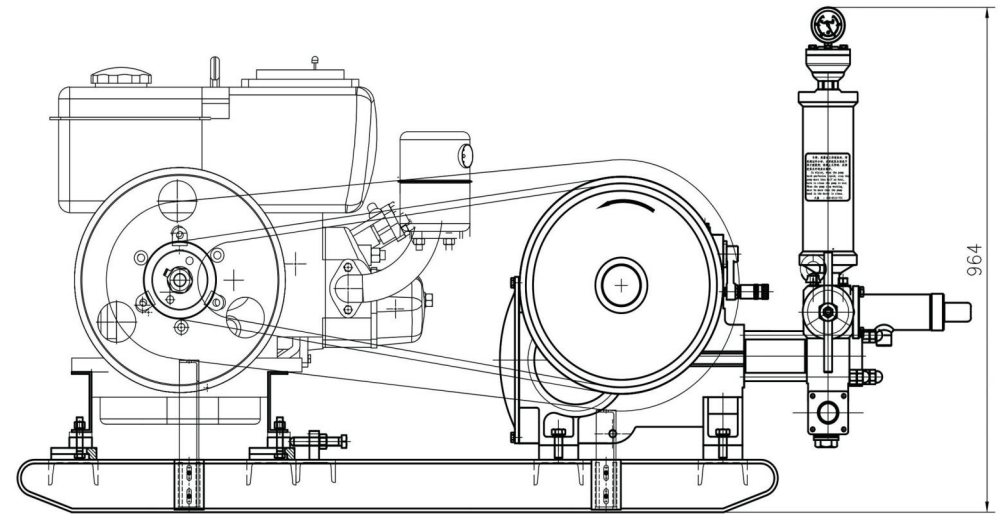
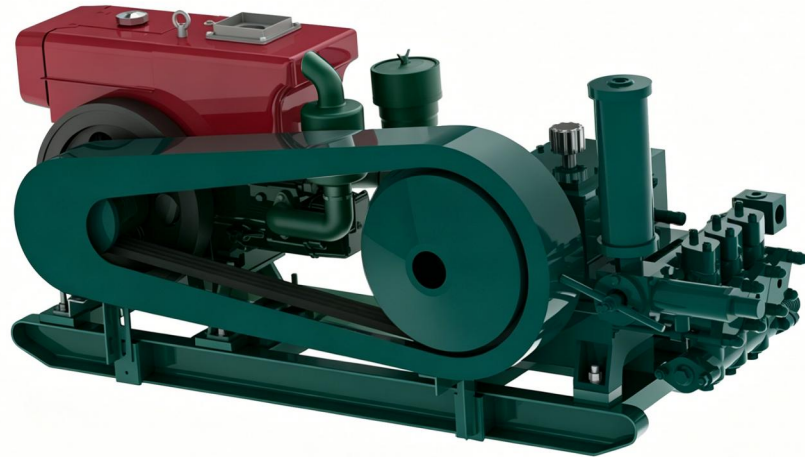
The product specifications and images provided may change due to design improvements and upgrades. Please feel free to inquire for more information.

# CBW-150Q Outline Dimension Drawing

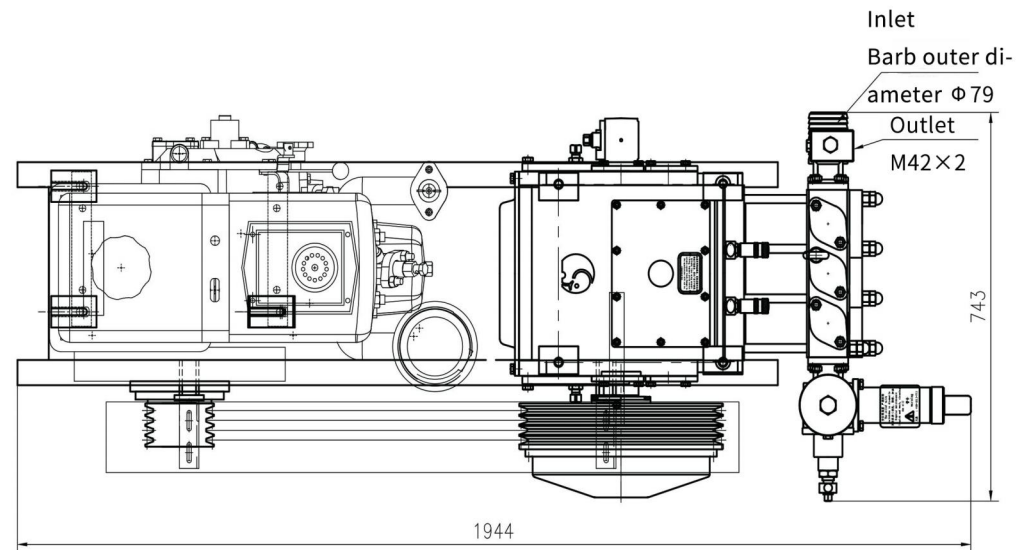


# CBWF-250

# CBWF-250 Outline Dimension Drawing



The CBWF-250 reciprocating pump is a horizontal triplex single-acting piston pump, driven by a single-cylinder diesel engine with a pulley clutch transmission. It is primarily used for geological exploration, grouting, mine drainage, long-distance water delivery, and other applications. This pump offers four flow rates and four pressure levels, with a wide range of flow and pressure variations, making it suitable for drilling and pullback operations in different borehole sizes. The design incorporates modern concepts, utilizing new structures, materials, and manufacturing techniques. It features a compact structure, lightweight, small footprint, and aesthetically pleasing appearance. Additionally, it is easy to install and maintain, with advantages such as high output pressure, extended service life of wear-prone parts, and stable performance.



### Horizontal triplex reciprocating single acting piston pump

Stroke(mm)	70			
Cylinder diameter(mm)	75			
Flow(L/min)	250	158	100	69
Pressure(Mpa)	2.5	4	6	9
Input speed(r/min)	727			
Rated power(Kw)	14			
Dimensions(mm)	1944×743×964			
Weight(kg)	600			
Diesel engine model	ZS1115			
Diesel engine power(KW)	16.2			
Diesel engine rated speed(r/min)	2200			

The product specifications and images provided may change due to design improvements and upgrades. Please feel free to inquire for more information.

## CBW-450/5A (Diesel engine power)

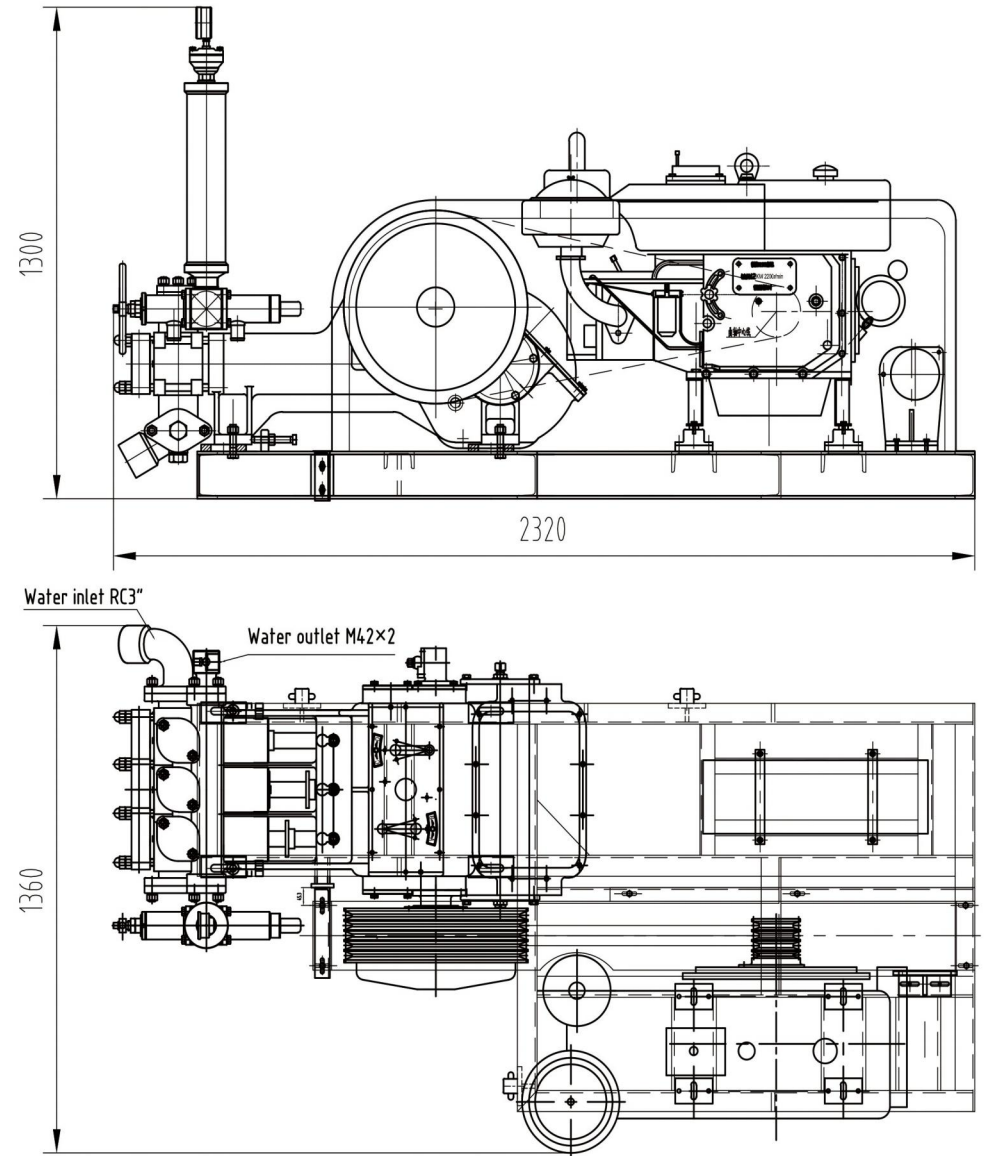


CBW-450/5A reciprocating pump is a horizontal triplex reciprocating single-acting piston pump, which is driven by a single-cylinder diesel engine and belt-driven. It is mainly used for geological exploration, grouting, mine drainage, and long-distance water delivery. The pump has four flow rates and four pressures, with a wide range of flow and pressure changes, suitable for drilling and backwashing with different bore diameters. In design, new concepts, new structures, new materials, and new processes are widely used; the structure is compact, light in weight, small in size, and beautiful in appearance; installation and maintenance are convenient; it has the characteristics of high output pressure, long service life of vulnerable parts, and stable performance.

Horizontal triplex reciprocating single acting piston pump				
Stroke (mm)	110			
Cylinder diameter (mm)	95			
Flow (L/min)	450	320	230	160
Pressure (MPa)	2	3	4	5
Input speed (r/min)	490			
Dimensions (mm)	2320 × 1360 × 1300			
Weight (kg)	1100			
Diesel engine model	L32M			
Diesel Engine Power (KW)	23			
Rated speed (r/min)	2000			

The product specifications and images provided may change due to design improvements and upgrades. Please feel free to inquire for more information.

## CBW-450/5A Outline Dimension Drawing



## CBW-600 (Diesel engine power)

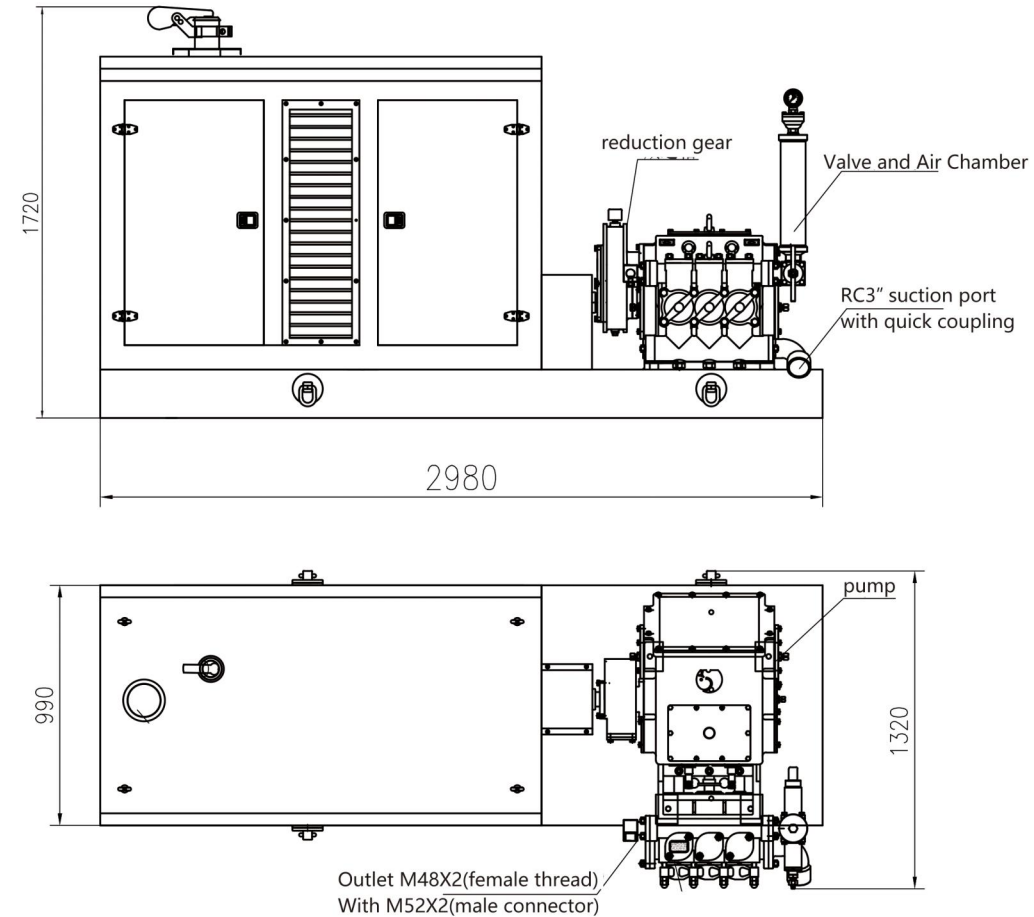


The CBW-600 reciprocating pump is a horizontal triplex reciprocating single-acting piston pump, driven by a diesel engine, using a reduction box to replace the traditional belt pulley transmission, and wireless remote pneumatic control clutch. It is mainly used in conjunction with non-excavation drilling rigs of about 70 tons, and can also be used for other injection grouting, mine drainage, and long-distance water delivery applications. The pump has four flow rates and four pressures, with a large range of flow and pressure changes, which can be suitable for drilling and backflushing of different diameters. In design, new concepts, structures, materials, and processes are adopted. The pump has a compact structure, light weight, small size, and beautiful appearance, making installation and maintenance convenient. It features high output pressure, long service life of vulnerable parts, and stable performance.

Horizontal triplex reciprocating single acting piston pump				
Stroke (mm)	110			
Cylinder diameter (mm)	100			
Flow (L/min)	600	415	280	195
Pressure (MPa)	3.5	5	7.5	10
Input speed (r/min)	550			
Dimensions (mm)	2980 × 1320 × 1720			
Weight (kg)	2200			
Diesel engine model	4BTA3.9			
Diesel Engine Power (KW)	60			
Rated speed (r/min)	1500			

The product specifications and images provided may change due to design improvements and upgrades. Please feel free to inquire for more information.

## CBW-600 Outline Dimension Drawing



# CBW-800 (Diesel engine power)

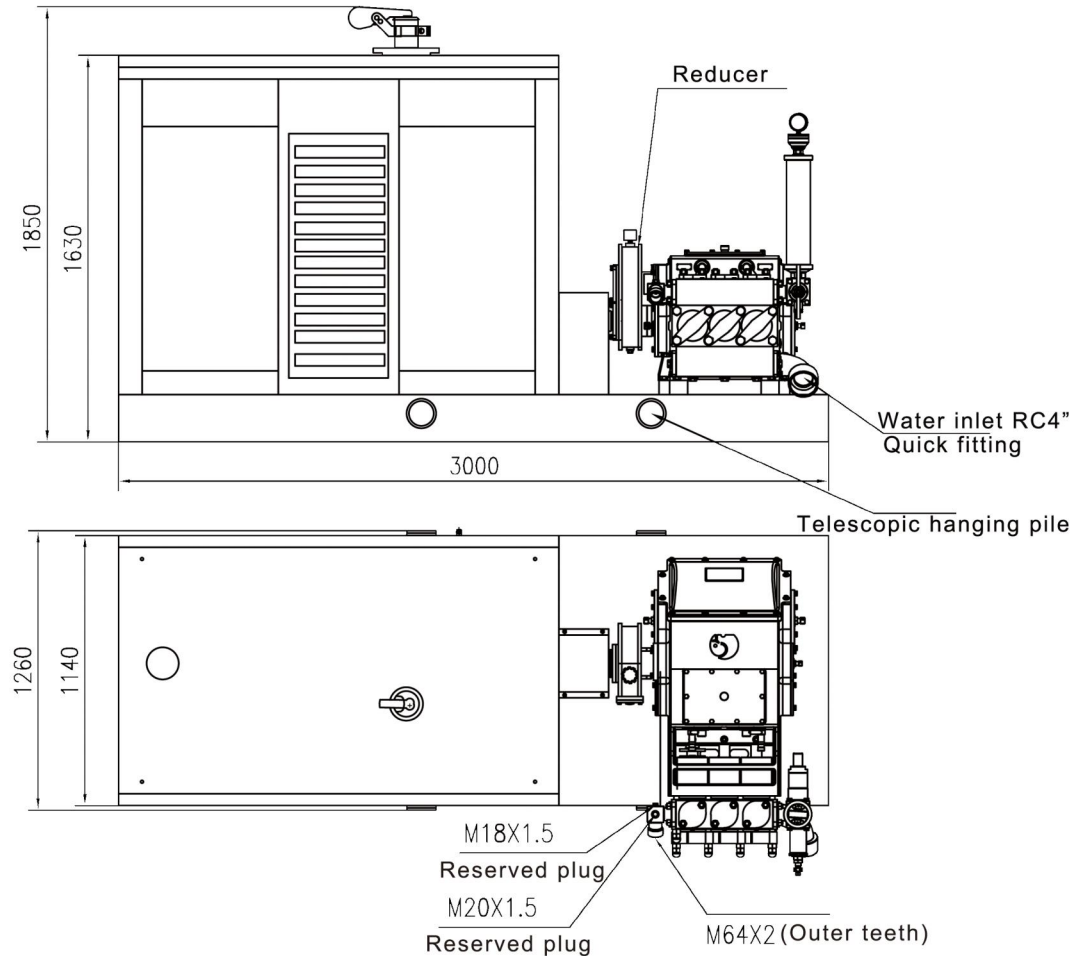


The CBW-800 reciprocating pump is a horizontal triplex reciprocating single-acting piston pump, driven by a diesel engine and using a gearbox instead of traditional belt wheel transmission. It has a wireless remote pneumatic control clutch. It is mainly designed to be used with non-excavation drilling rigs of around 90 tons, and can also be used for grouting, mine drainage and long-distance water delivery. The pump has four flow rates and four pressures, with a wide range of flow and pressure changes suitable for different hole drilling and backfilling. The design embodies new concepts and uses new structures, materials, and processes, with a compact structure, light weight, small size, and beautiful appearance. It is easy to install and maintain and has high output pressure, long service life of vulnerable parts, and stable performance.

Horizontal triplex reciprocating single acting piston pump				
Stroke (mm)	135			
Cylinder diameter (mm)	110			
Flow (L/min)	800	550	370	260
Pressure (MPa)	3.5	5	7.5	10
Input speed (r/min)	55			
Dimensions (mm)	3000 × 1260 × 1850			
Weight (kg)	2420			
Diesel engine model	QSB3.9-P110			
Diesel Engine Power (KW)	79			
Rated speed (r/min)	1400			

The product specifications and images provided may change due to design improvements and upgrades. Please feel free to inquire for more information.

# CBW-800 Outline Dimension Drawing



## CBW-1000 (Diesel engine power)

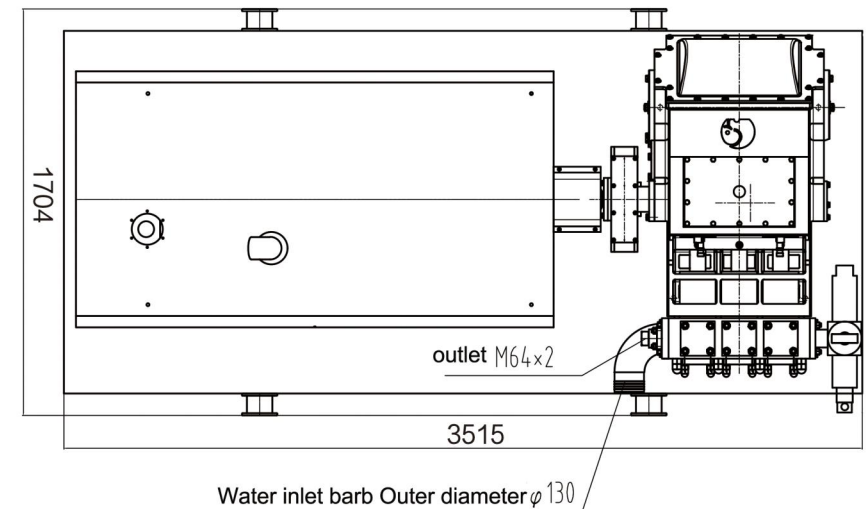
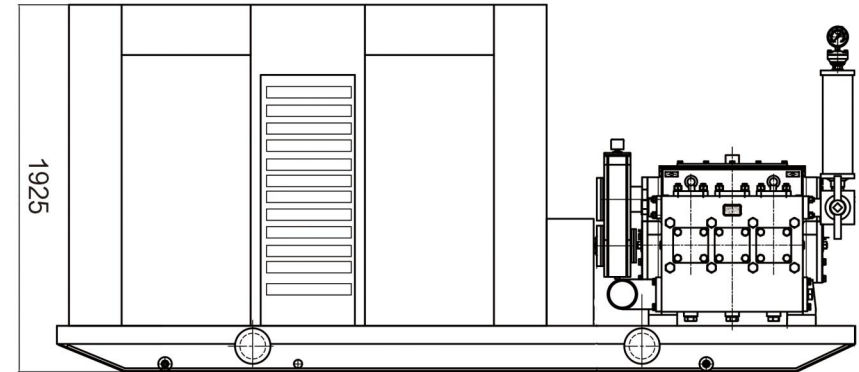


The CBW-1000 reciprocating pump is a horizontal triplex reciprocating single-acting piston pump, driven by a diesel engine and using a gearbox instead of a traditional belt wheel transmission, with a wireless remote pneumatic control clutch. It is mainly used with non-excavation drilling rigs of around 100 tons, and can also be used for other purposes such as grouting, mine drainage, and long-distance water delivery. The pump has four different flow rates and four different pressures, with a wide range of flow rate and pressure changes, making it suitable for different borehole drilling and retreat. The design adopts new concepts, new structures, new materials, and new technologies, featuring a compact structure, light weight, small size, beautiful appearance, and convenient installation and maintenance. It also has the characteristics of high output pressure, long service life of vulnerable parts, and stable performance.

Horizontal triplex reciprocating single acting piston pump	
Stroke (mm)	140
Cylinder diameter (mm)	115
Flow (L/min)	1000 650 515 335
Pressure (MPa)	4 6 7.5 10
Input speed (r/min)	80
Dimensions (mm)	3515×1704×1925
Weight (kg)	3300
Diesel engine model	QSB5.9-P130
Diesel Engine Power (KW)	96
Rated speed (r/min)	1500

The product specifications and images provided may change due to design improvements and upgrades. Please feel free to inquire for more information.

## CBW-1000 Outline Dimension Drawing



## CBW-1200 (Diesel engine power)

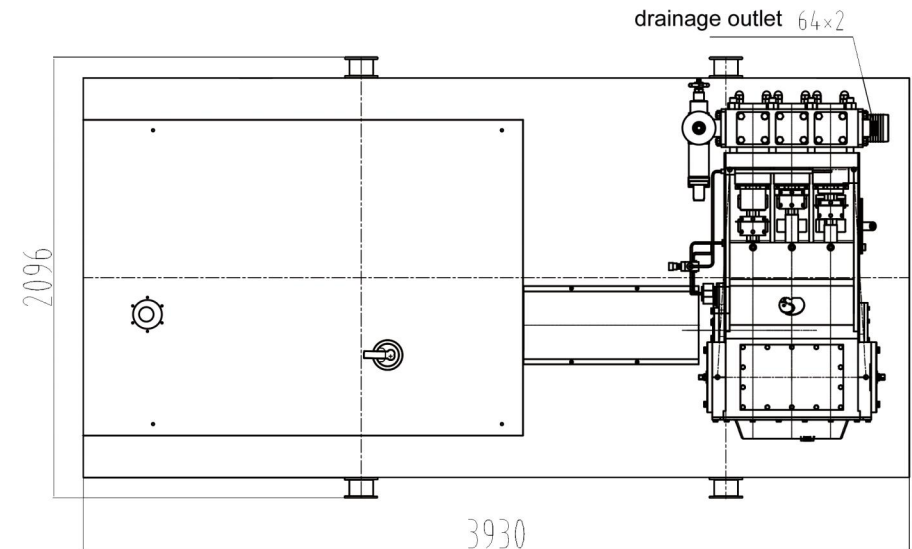
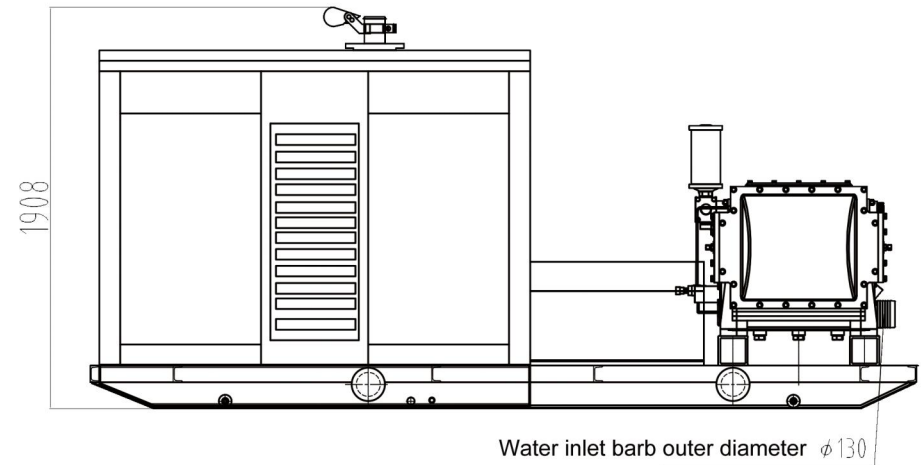


CBW-1200 reciprocating pump is a horizontal triplex reciprocating single-acting plunger pump driven by a diesel engine, equipped with an automatic transmission and wireless remote control. It is mainly used in conjunction with non-excavation drilling rigs of around 150 tons, but can also be used for grouting, mine drainage, and long-distance water delivery in other applications. The pump has five flow rates and five pressures, with a wide range of flow and pressure changes that can accommodate different drill hole diameters and back pressures. In design, new concepts, structures, materials, and processes are adopted, with a compact structure, light weight, small size, and pleasing appearance. Installation and maintenance are convenient, and the pump features high output pressure, long service life for vulnerable parts, and stable performance.

Horizontal triplex reciprocating single acting piston pump	
Stroke (mm)	150
Cylinder diameter (mm)	120
Flow (L/min)	1200 890 660 485 363
Pressure (MPa)	4.5 6 8 10 12
Input speed (r/min)	100
Dimensions (mm)	3930 × 2096 × 1908
Weight (kg)	4180
Diesel engine model	QSB5.9-C180
Diesel Engine Power (KW)	132
Rated speed (r/min)	1800

The product specifications and images provided may change due to design improvements and upgrades. Please feel free to inquire for more information.

## CBW-1200 Outline Dimension Drawing



## CBWH-1200 (Diesel engine power)

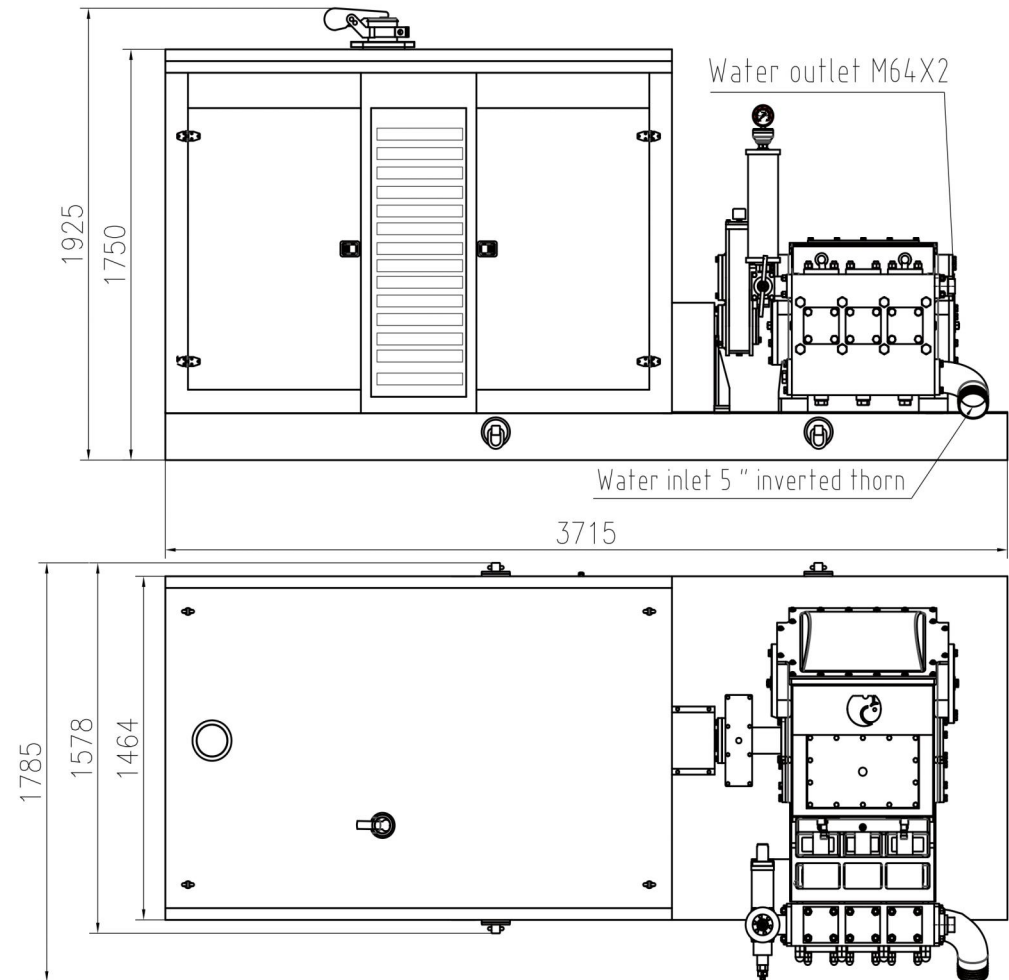


CBWH-1200 reciprocating pump is a horizontal triplex reciprocating single-acting piston pump, driven by diesel engine and using a reduction gearbox to replace the traditional belt pulley transmission, with wireless remote pneumatic control clutch. It is mainly used in conjunction with non-excavation drilling rigs of about 150 tons, and can also be used for other purposes such as grouting, mine drainage, and long-distance water delivery. The pump has four flow rates and four pressures, with a wide range of flow and pressure changes, and can be used for drilling and backfilling with different diameters. The design adopts new concepts, new structures, new materials, and new processes; the structure is compact, lightweight, small in size, and beautiful in appearance; easy to install and maintain; it has the characteristics of high output pressure, long service life of vulnerable parts, and stable performance.

Horizontal triplex reciprocating single acting piston pump				
Stroke (mm)	150			
Cylinder diameter (mm)	125			
Flow (L/min)	1200	779	600	385
Pressure (MPa)	4	6	8	10
Input speed (r/min)	96			
Dimensions (mm)	3715 × 1785 × 1925			
Weight (kg)	3700			
Diesel engine model	QSB5.9-P160			
Diesel Engine Power (KW)	120			
Rated speed (r/min)	1500			

The product specifications and images provided may change due to design improvements and upgrades. Please feel free to inquire for more information.

## CBWH-1200 Outline Dimension Drawing





## CBW-1500 (Diesel engine power)



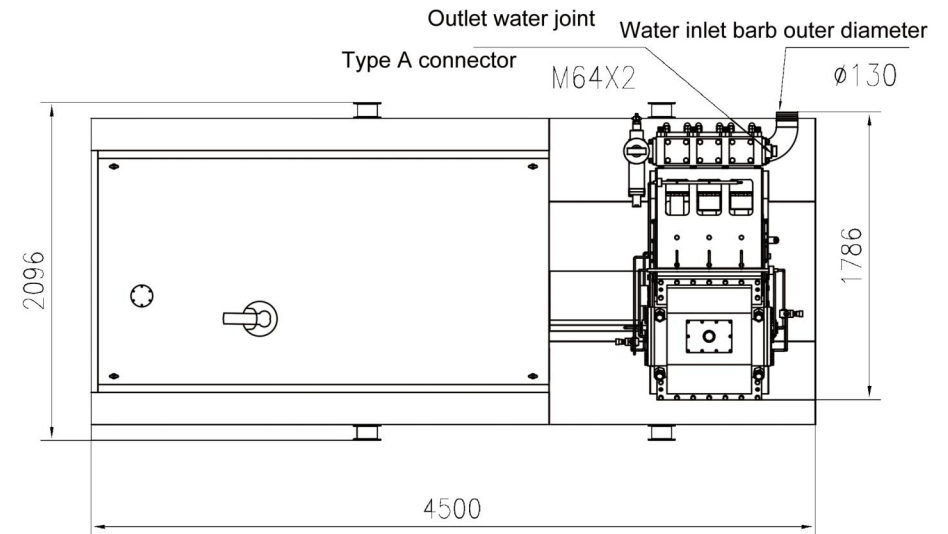
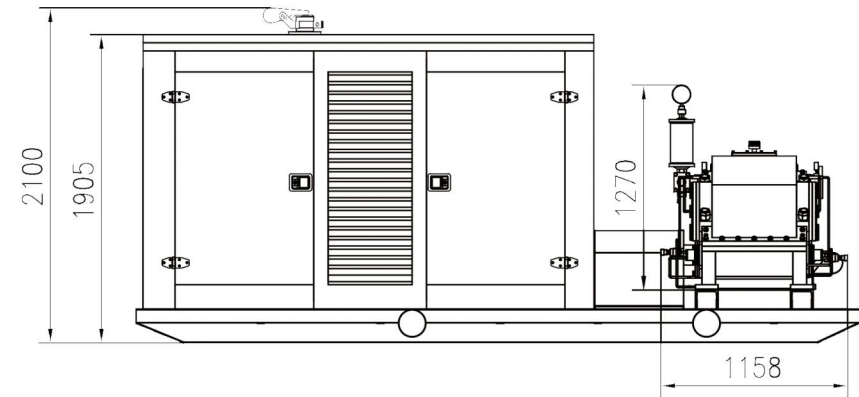
The CBW-1500 reciprocating pump is a horizontal triplex reciprocating single-acting plunger pump, driven by a diesel engine and equipped with an automatic transmission and wireless remote control. It is mainly used in conjunction with non-excavation drilling rigs weighing around 210 tons, and can also be used for other purposes such as grouting, mine drainage, and long-distance water transportation. The pump has five flow rates and five pressures, with a wide range of flow and pressure changes, making it suitable for drilling and backfilling of different diameters. It adopts new ideas, new structures, new materials, and new processes in design; the structure is compact, light in weight, small in size, and aesthetically pleasing; installation and maintenance are convenient; and it features high output pressure, long service life of vulnerable parts, and stable performance.

Horizontal triplex reciprocating single acting piston pump	
Stroke (mm)	150
Cylinder diameter (mm)	135
Flow (L/min)	1500 979 728 557 373
Pressure (MPa)	5 7.5 10 13 15
Input speed (r/min)	160
Dimensions (mm)	4500 × 2096 × 2100
Weight (kg)	5980
Diesel engine model	QSC8.3-C260
Diesel Engine Power (KW)	194
Rated speed (r/min)	1700

The product specifications and images provided may change due to design improvements and upgrades. Please feel free to inquire for more information.



## CBW-1500 Outline Dimension Drawing



# CBW-1500H

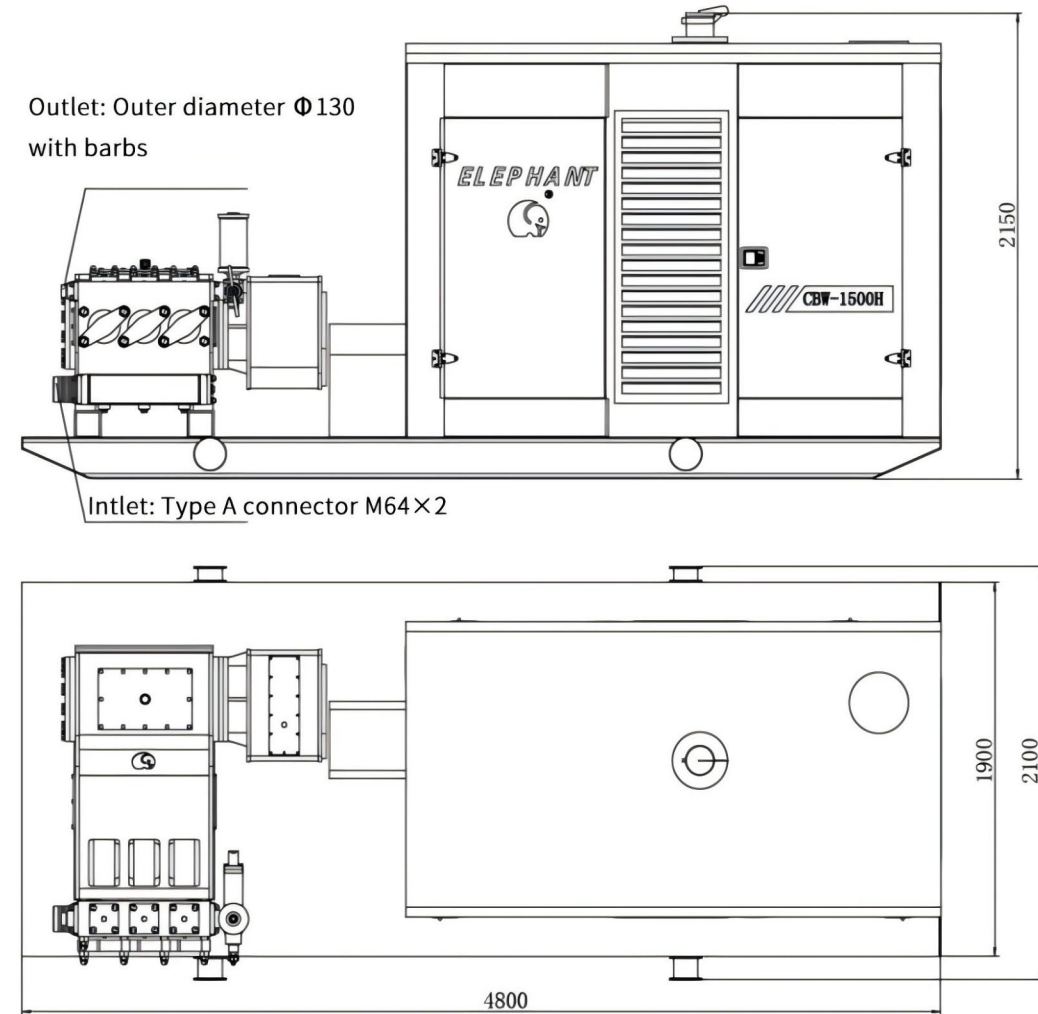


The CBW-1500H reciprocating pump is a horizontal triplex reciprocating single-acting plunger pump, driven by a diesel engine and equipped with an automatic gear-shifting transmission and wireless remote control. It is primarily designed for use with 210-ton horizontal directional drilling (HDD) rigs but can also be employed for other applications such as grouting, mine drainage, and long-distance water delivery. This pump offers five adjustable flow rates and five pressure levels, with a wide range of variations to accommodate different borehole diameters during drilling and pullback operations. Its design incorporates innovative concepts, utilizing advanced structures, materials, and manufacturing techniques. The pump features a compact structure, light-weight construction, small footprint, and aesthetically pleasing appearance. It is easy to install and maintain while delivering high output pressure, extended service life of wear-prone components, and stable performance.

Horizontal triplex reciprocating single acting plunger pump					
Stroke(mm)	150				
Plunger diameter(mm)	135				
Gear position	1	2	3	4	5
Pump speed(r/min)	61	91	119	160	246
Flow(L/min)	373	557	728	979	1500
Pressure(Mpa)	15	13	10	7.5	5
Input power(kw)	160				
Maximum input torque(N·m)	4100				
Dimensions(mm)	4800 × 2100 × 2150				
Weight(kg)	6050				
Power unit	Cummins Qsc8.3-C260 Diesel Engine				
Maximum power(Kw)	194				
Rated speed(r/min)	1700				

The product specifications and images provided may change due to design improvements and upgrades. Please feel free to inquire for more information.

## CBW-1500H Outline Dimension Drawing





## CBWH-1500 (Diesel engine power)



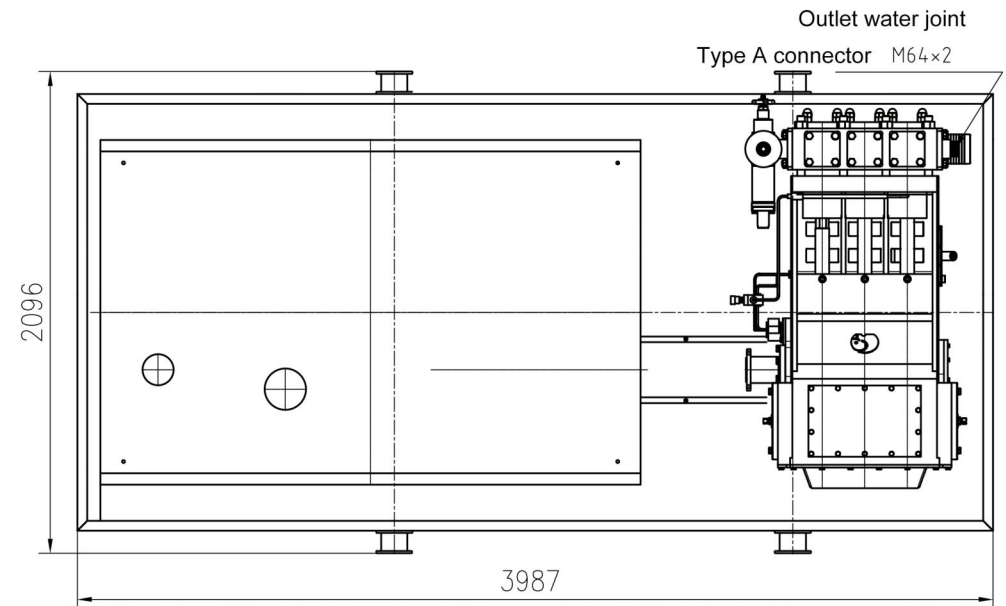
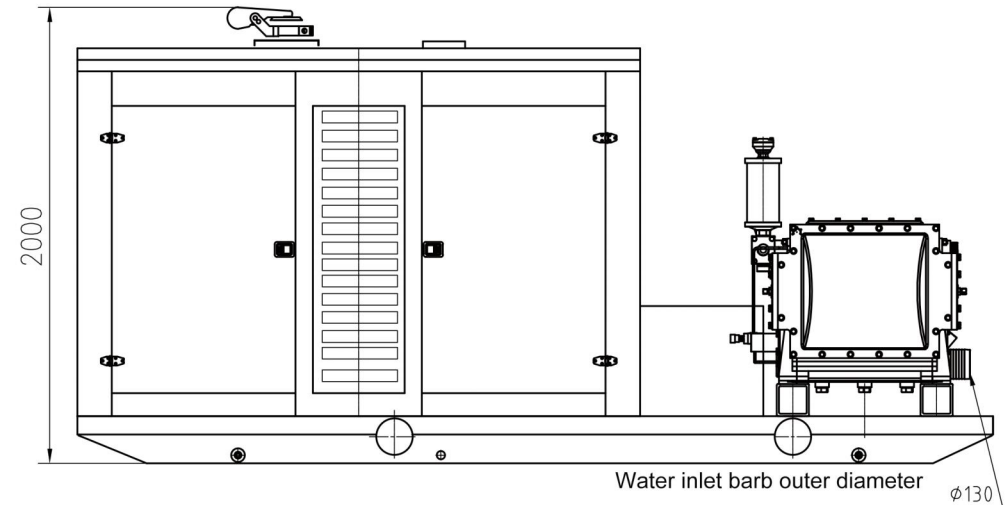
The CBWH-1500 reciprocating pump is a horizontal triplex reciprocating single-acting piston pump driven by a diesel engine, equipped with automatic gear shifting and wire remote control. It is mainly used in conjunction with non-excavation drilling rigs of about 150 tons, and can also be used for other purposes such as grouting, mine drainage, and long-distance water delivery. The pump has five flow rates and five pressures, with a wide range of flow and pressure changes, which can be used for drilling and backfilling with different aperture sizes. The design incorporates new concepts, new structures, new materials, and new processes; it has a compact structure, light weight, small size and beautiful appearance; it is easy to install and maintain; and it has the characteristics of high output pressure, long service life of vulnerable parts and stable performance.

Horizontal triplex reciprocating single acting piston pump					
Stroke (mm)	150				
Cylinder diameter (mm)	140				
Flow (L/min)	1500	1150	850	625	465
Pressure (MPa)	4	5.5	7	9	10
Rated power (kw)	120				
Dimensions (mm)	3987 × 2096 × 2000				
Weight (kg)	4500				
Diesel engine model	QSB5.9-C210				
Diesel Engine Power (KW)	154				
Rated speed (r/min)	1700				

The product specifications and images provided may change due to design improvements and upgrades. Please feel free to inquire for more information.



## CBWH-1500 Outline Dimension Drawing





## CBW-2000 (Diesel engine power)



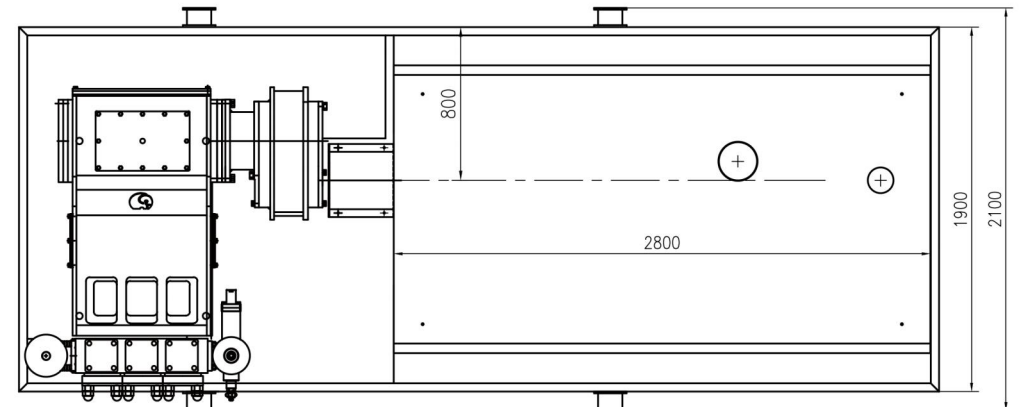
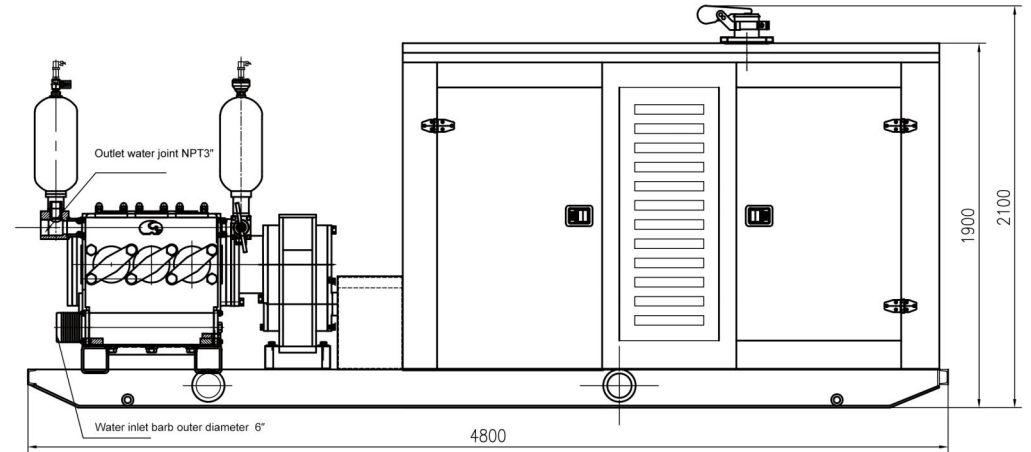
CBW-2000 reciprocating pump is a horizontal triplex reciprocating single-acting plunger pump, driven by diesel engine and equipped with automatic shift gearbox and wireless remote control. It is mainly used in conjunction with non-excavating drilling rigs of about 220 tons, and can also be used for grouting, mine drainage, long-distance water delivery and other purposes. The pump has five flow rates and five pressures, with a wide range of flow rate and pressure changes, which can be suitable for drilling and backfilling of different aperture sizes. The design adopts new concepts, new structures, new materials, and new processes. It has a compact structure, light weight, small size, and beautiful appearance, and is easy to install and maintain. It has the characteristics of high output pressure, long service life of vulnerable parts, and stable performance.

Horizontal triplex reciprocating single acting piston pump					
Stroke (mm)	150				
Cylinder diameter (mm)	155				
Flow (L/min)	2000	1500	1140	760	500
Pressure (MPa)	4	5.4	7	9	10.5
Input speed (r/min)	162				
Dimensions (mm)	4800 × 2100 × 2100				
Weight (kg)	6050				
Diesel engine model	QSC8.3-C260				
Diesel Engine Power (kw)	194				
Rated speed (r/min)	1700				

The product specifications and images provided may change due to design improvements and upgrades. Please feel free to inquire for more information.



## CBW-2000 Outline Dimension Drawing



## CBWH-2000 (Diesel engine power)



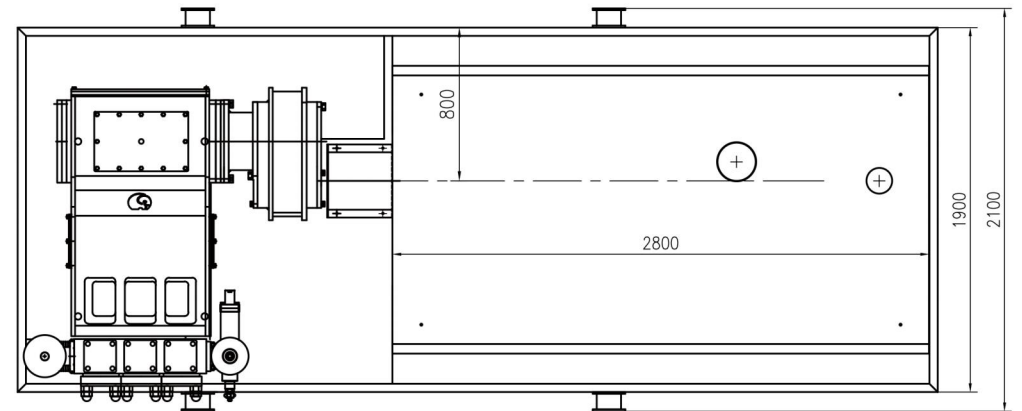
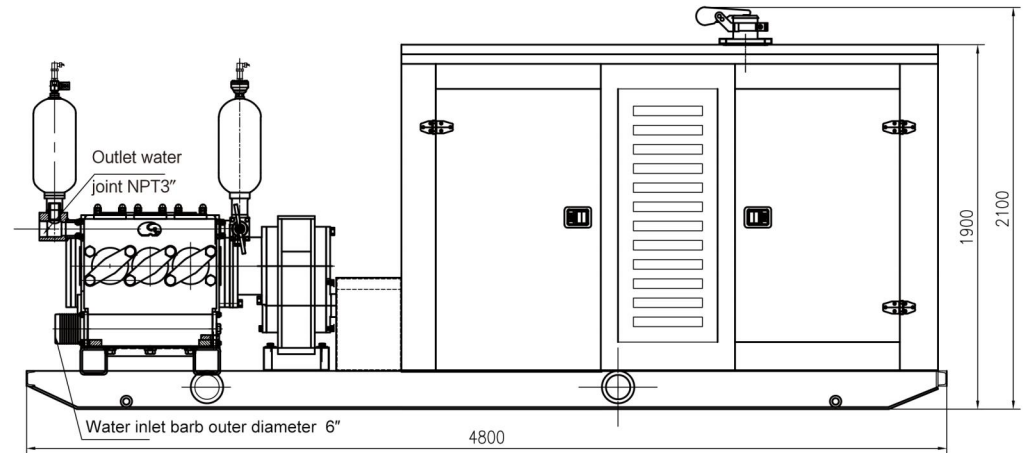
The CBWH-2000 reciprocating pump is a horizontal triplex reciprocating single-acting piston pump that is powered by a diesel engine and equipped with an automatic transmission gearbox and wireless remote control. It is mainly used to complement non-excavation drilling rigs weighing around 220 tons, but can also be used for other purposes such as grouting, mine drainage, and long-distance water delivery. The pump has five flow and pressure settings with a wide range of variations, which can accommodate different drill and backflow hole sizes. In design, new concepts, structures, materials, and techniques are adopted to make the pump compact, lightweight, small in size, and aesthetically pleasing. Installation and maintenance are convenient, and the pump features high output pressure, long-lasting vulnerable parts, and stable performance.

### Horizontal triplex reciprocating single acting piston pump

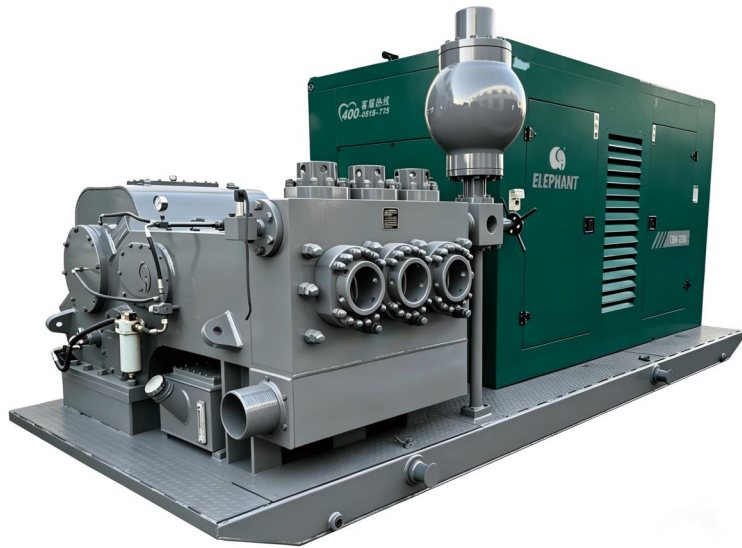
Stroke (mm)	150				
Cylinder diameter (mm)	165				
Flow (L/min)	2000	1500	1140	760	500
Pressure (MPa)	4	5.4	7	10	10
Rated speed (r/min)	162				
Dimensions (mm)	4800 × 2100 × 2100				
Weight (kg)	6050				
Diesel engine model	QSC8.3-C260				
Diesel Engine Power (kW)	194				
Rated speed (r/min)	1500				

The product specifications and images provided may change due to design improvements and upgrades. Please feel free to inquire for more information.

## CBWH-2000 Outline Dimension Drawing



## CBW-2200 (Diesel engine power)

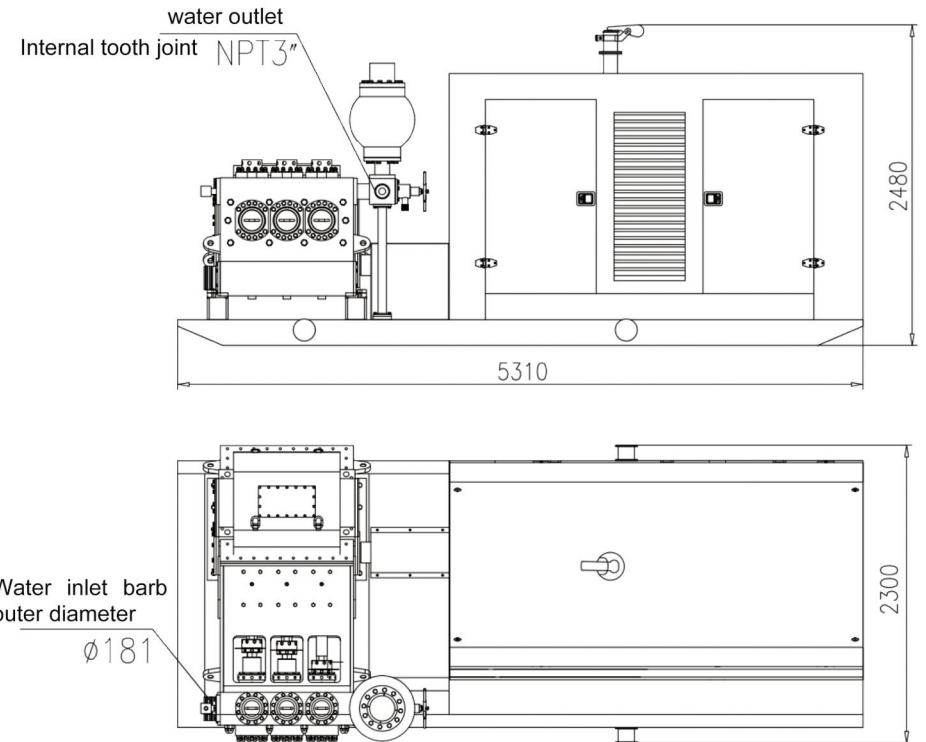


The CBW-2200 reciprocating pump is a horizontal triplex single-acting reciprocating plunger pump driven by a diesel engine, equipped with an automatic transmission, wireless remote control, primarily used in conjunction with non-excavation drilling machines of about 300 tons. It can also be used for other purposes such as grouting, mine drainage, long-distance water delivery, etc. The pump has six flow rates and six pressures, with a wide range of flow and pressure changes to adapt to different drill bit diameters and backflow. Its design incorporates new concepts, new structures, new materials, and new processes, with a compact structure, light weight, small size, and attractive appearance. It is easy to install and maintain, with high output pressure, long service life of vulnerable parts, and stable performance.

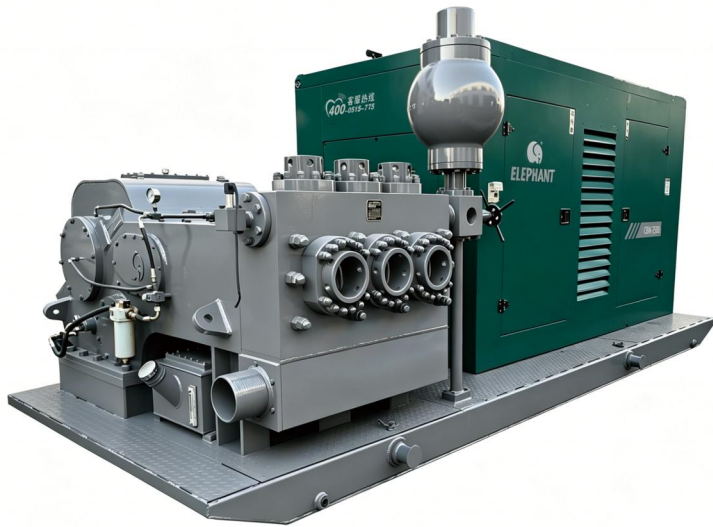
Horizontal triplex reciprocating single acting piston pump						
Stroke (mm)	200					
Cylinder diameter (mm)	140					
Flow (L/min)	2200	1700	1200	900	650	500
Pressure (MPa)	5	6.5	9	12	17	20
Input speed (r/min)	220					
Dimensions (mm)	5310 × 2300 × 2480					
Weight (kg)	12500					
Diesel engine model	YC6MK420-T30					
Diesel Engine Power (KW)	281					
Rated speed (r/min)	1800					

The product specifications and images provided may change due to design improvements and upgrades. Please feel free to inquire for more information.

## CBW-2200 Outline Dimension Drawing



## CBW-2500 (Diesel engine power)

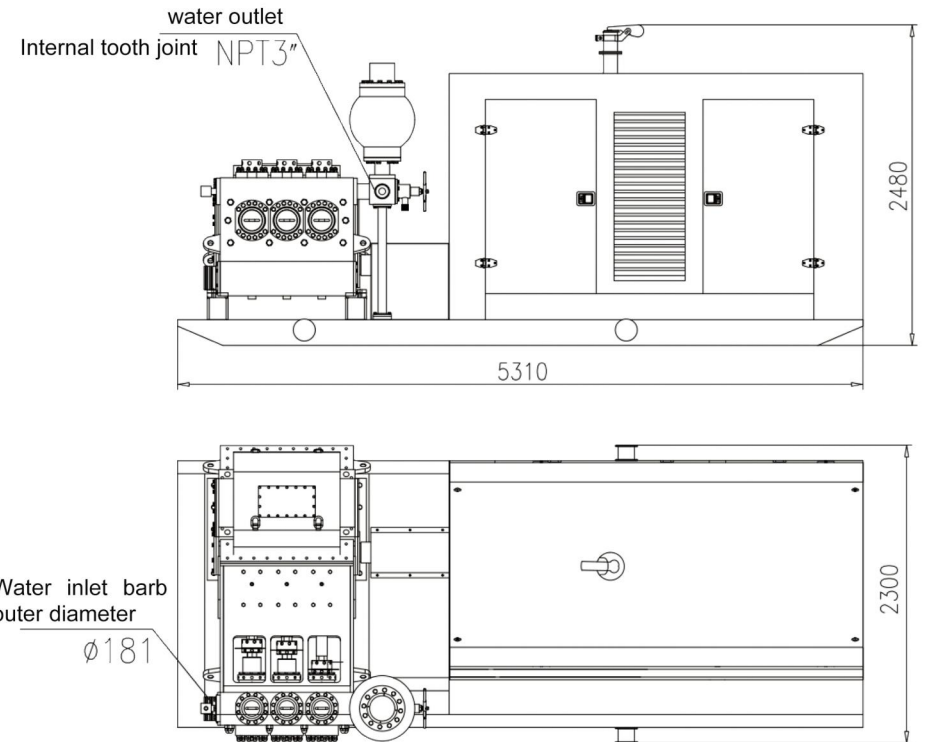


The CBW-2500 reciprocating pump is a horizontal, triplex, single-action reciprocating plunger pump that is powered by a diesel engine and has an automatic transmission gearbox and wireless remote control. It is mainly used in conjunction with non-excavation drilling rigs of around 350 tons, but can also be used for other purposes such as grouting, mine drainage, and long-distance water transfer. The pump has six flow rates and six pressures with a wide range of variation, making it suitable for different drilling diameters and backflushing. It employs new concepts, structures, materials, and processes in its design, making it compact, lightweight, and aesthetically pleasing. It is easy to install and maintain, has a high output pressure, a long service life for vulnerable parts, and stable performance.

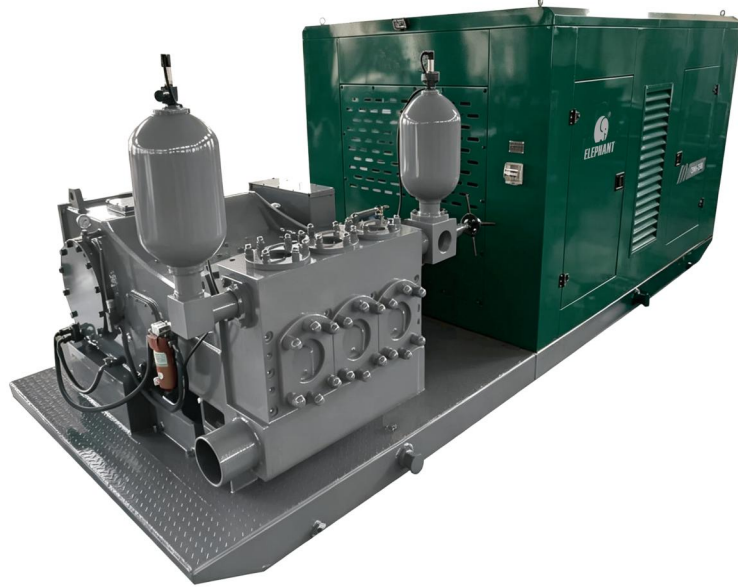
Horizontal triplex reciprocating single acting piston pump						
Stroke (mm)	200					
Cylinder diameter (mm)	140					
Flow (L/min)	2500	1845	1330	990	730	539
Pressure (MPa)	4.6	6	8	11	15	19
Input speed (r/min)	230					
Dimensions (mm)	5310×2300×2480					
Weight (kg)	12900					
Diesel engine model	QSZ13-C400					
Diesel Engine Power (KW)	298					
Rated speed (r/min)	1800					

The product specifications and images provided may change due to design improvements and upgrades. Please feel free to inquire for more information.

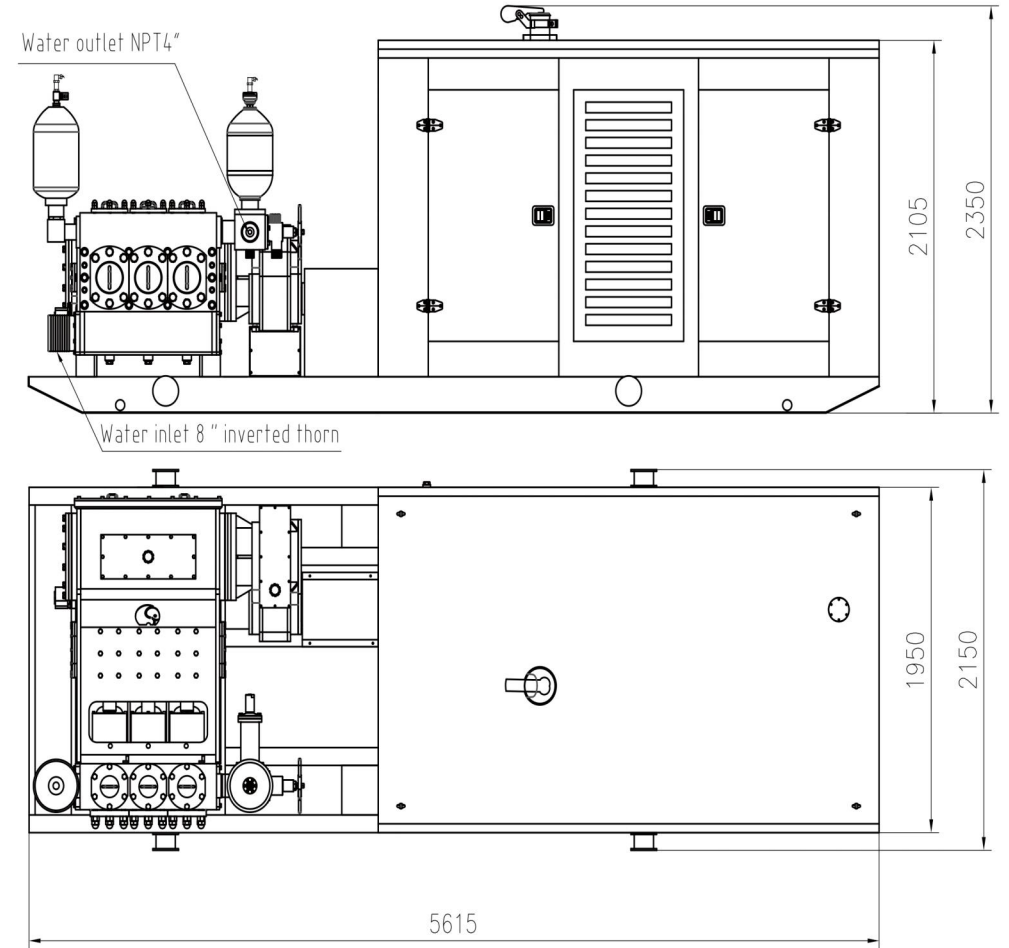
## CBW-2500 Outline Dimension Drawing



## CBWH-2500 (Diesel engine power)



## CBWH-2500 Outline Dimension Drawing

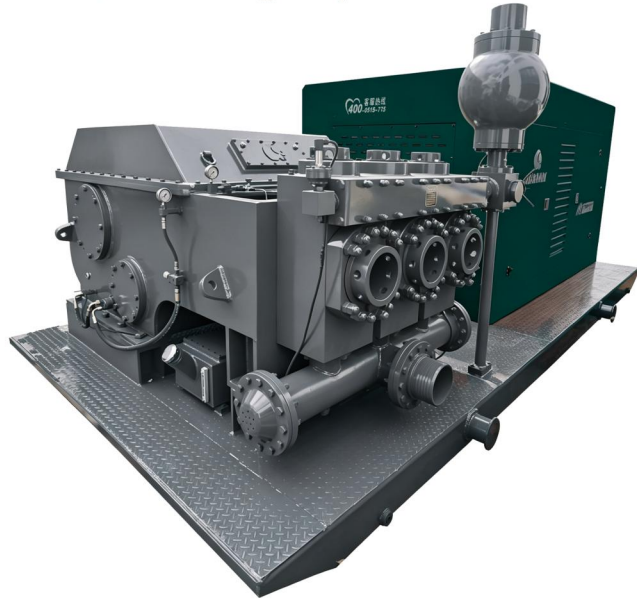


The CBWH-2500 reciprocating pump is a horizontal triplex reciprocal single-acting piston pump, which is driven by a diesel engine and equipped with an automatic transmission, remote wireless control. It is mainly used in conjunction with non-excavation drilling rigs of about 400 tons, and can also be used for other purposes such as grouting, mine drainage, and long-distance water delivery. The pump has five flow rates and five pressures, with a wide range of changes in flow rate and pressure, making it suitable for drilling and back dragging of different hole diameters. In its design, new concepts, structures, materials, and processes are used to make it compact, lightweight, small in size, aesthetically appealing, and easy to install and maintain. It features high output pressure, long service life of vulnerable parts, and stable performance. fanrenjing duoshao, laonianrenyongshenmeshouji, wohaoea, zhongwuchisha

Horizontal triplex reciprocating single acting piston pump					
Stroke (mm)	160				
Cylinder diameter (mm)	190				
Flow (L/min)	2500	1809	1346	989	734
Pressure (MPa)	5	6	7	8	10
Rated power (kw)	250				
Dimensions (mm)	5615 × 2150 × 2350				
Weight (kg)	9500				
Diesel engine model	QSM11-P476				
Diesel Engine Power (KW)	330				
Rated speed (r/min)	1500				

The product specifications and images provided may change due to design improvements and upgrades. Please feel free to inquire for more information.

## CBW-2800 (Diesel engine power)

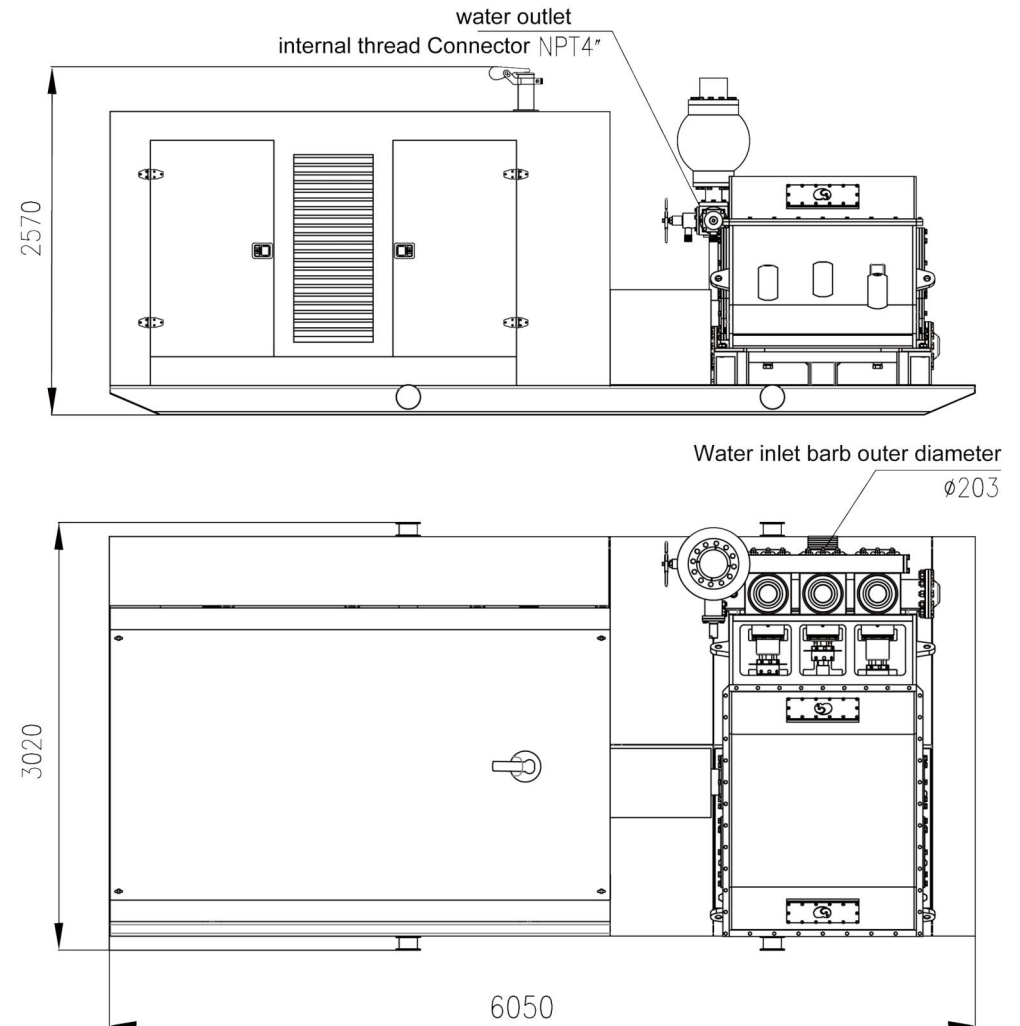


The CBW-2800 reciprocating pump is a horizontal triplex reciprocating single-acting plunger pump, driven by a diesel engine, equipped with an automatic transmission and wireless remote control. It is mainly used for matching with non-excavation drilling rigs of around 500 tons, and can also be used for other purposes such as grouting, mine drainage, and long-distance water delivery. The pump has five flow rates and five pressure settings, with a wide range of flow and pressure changes, and can be used for drilling and recovery of different diameters. It adopts new concepts, new structures, new materials, and new technologies in its design, with a compact structure, light weight, small size, and beautiful appearance. It is easy to install and maintain, with high output pressure, long service life of vulnerable parts, and stable performance.

Horizontal triplex reciprocating single acting piston pump					
Stroke (mm)	190				
Cylinder diameter (mm)	160				
Flow (L/min)	2800	2029	1504	1105	760
Pressure (MPa)	5	7	9	12	18
Input speed (r/min)	320				
Dimensions (mm)	6050 × 3020 × 2570				
Weight (kg)	16000				
Diesel engine model	QSZ13-C550				
Diesel Engine Power (KW)	410				
Rated speed (r/min)	1850				

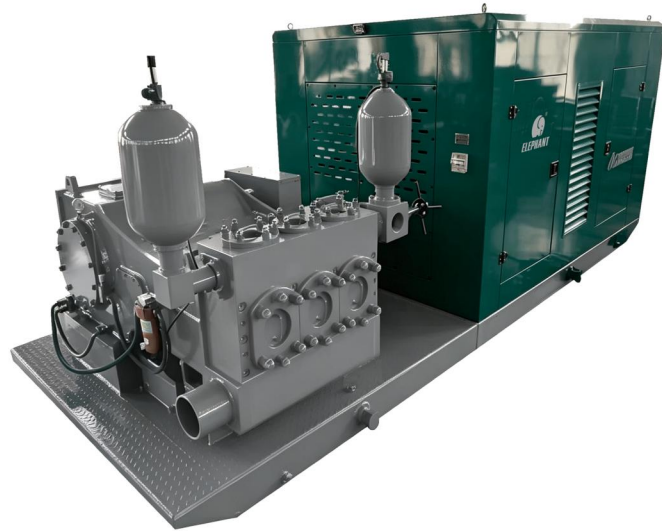
The product specifications and images provided may change due to design improvements and upgrades. Please feel free to inquire for more information.

## CBW-2800 Outline Dimension Drawing





## CBWH-3000 (Diesel engine power)



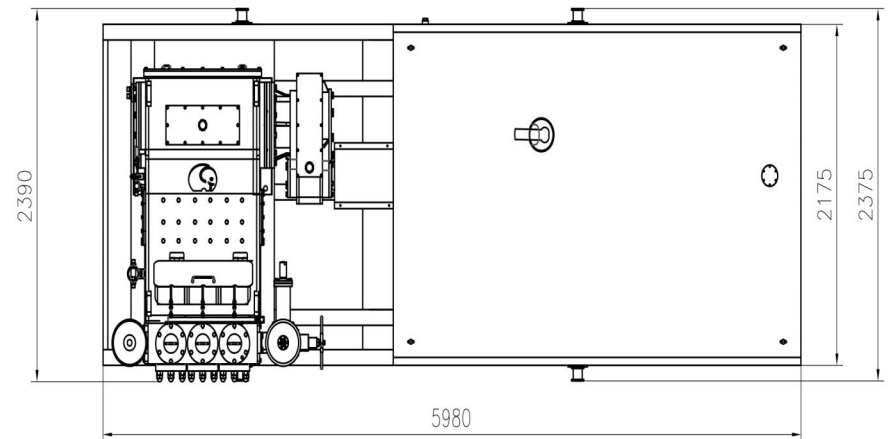
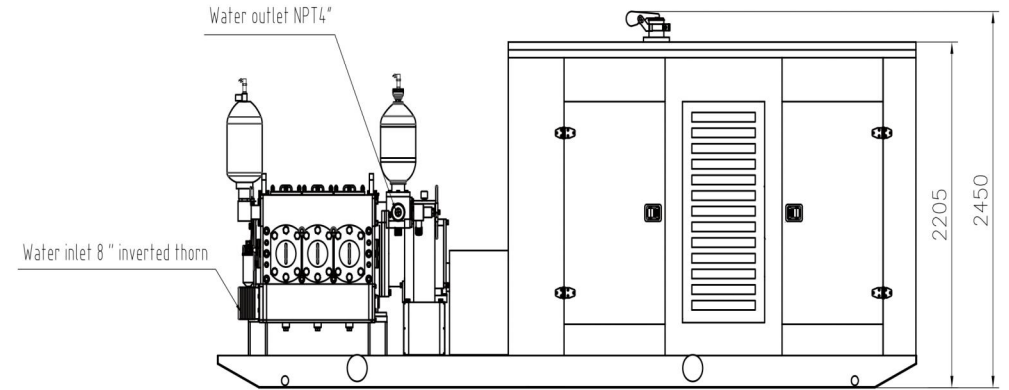
The CBWH-3000 reciprocating pump is a horizontal, triplex, single-acting piston pump that is driven by a diesel engine and equipped with an automatic transmission and wireless remote control. It is mainly used in conjunction with non-excavation drilling machines weighing around 500 tons, as well as for other purposes such as injection grouting, mine discharge, and long-distance water delivery. The pump has five flow rates and five pressures, with a wide range of flow and pressure variations that can be adapted to different borehole diameters for drilling and backfilling. The design incorporates new concepts, new structures, new materials, and new processes; it has a compact structure, light weight, small size, and attractive appearance, as well as easy installation and maintenance. The pump also features high output pressure, long service life of vulnerable parts, and stable performance.

Horizontal triplex reciprocating single acting piston pump					
Stroke (mm)	175				
Cylinder diameter (mm)	200				
Flow (L/min)	3000	2452	1818	1340	818
Pressure (MPa)	5	6	8	10	10
Rated power (kw)	320				
Dimensions (mm)	5980 × 2390 × 2450				
Weight (kg)	11000				
Diesel engine model	QSZ13-C550				
Diesel Engine Power (KW)	410				
Rated speed (r/min)	1500				

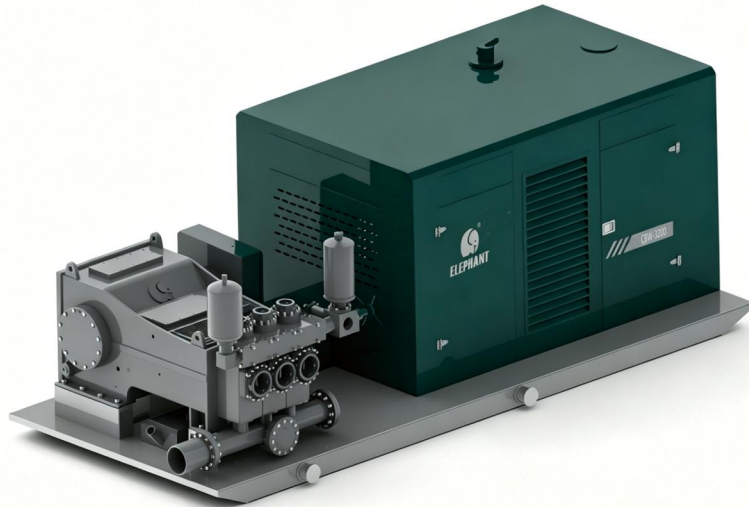
The product specifications and images provided may change due to design improvements and upgrades. Please feel free to inquire for more information.



## CBWH-3000 Outline Dimension Drawing



## CBW-3200 (Diesel engine power)

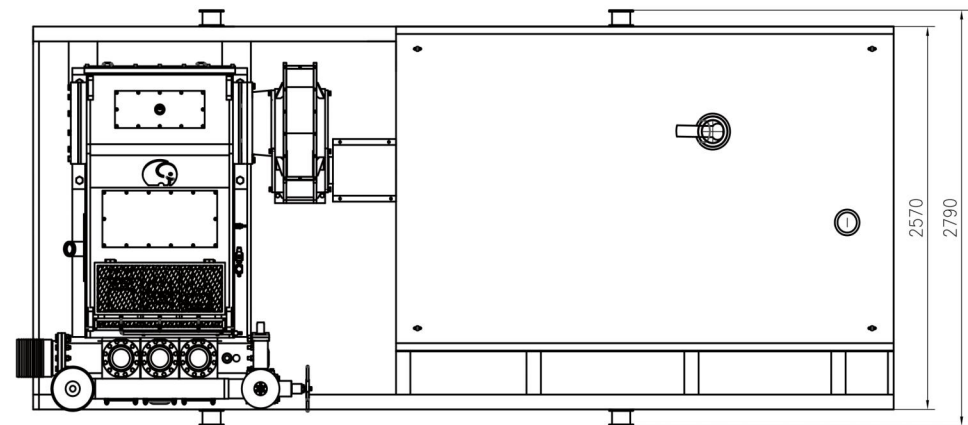
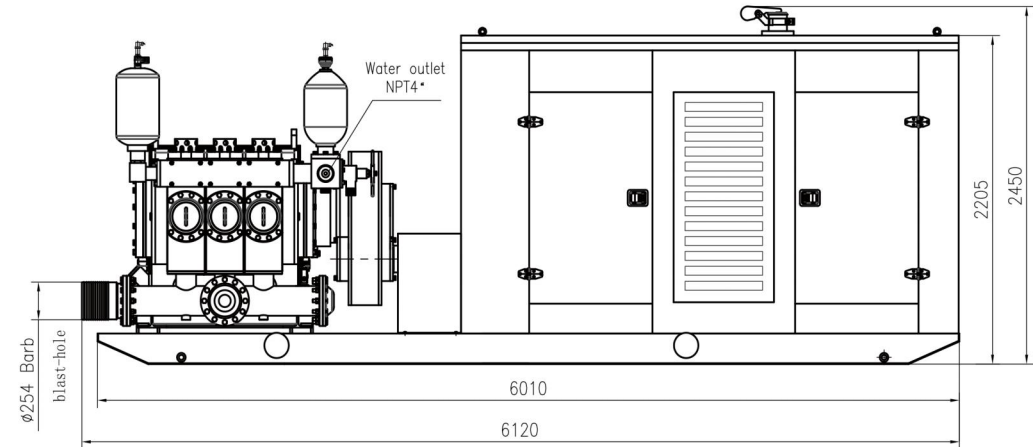


The CBW-3200 reciprocating pump is a horizontal triplex reciprocating single-acting plunger pump driven by a diesel engine and equipped with an automatic transmission gearbox and wireless remote control. It is mainly used in conjunction with non-excavator drilling rigs of around 500 tons, but can also be used for other purposes such as grouting, mine drainage, and long-distance water delivery. The pump has five flow rates and five pressures and has a wide range of flow rate and pressure changes, making it suitable for drilling and backfilling of different diameters. The design incorporates new concepts, new structures, new materials, and new processes. It has a compact structure, light weight, small size, and beautiful appearance, and is easy to install and maintain. It has the characteristics of high output pressure, long service life of vulnerable parts, and stable performance.

Horizontal triplex reciprocating single acting plunger pump					
Stroke (mm)	200				
Cylinder diameter (mm)	170				
Flow (L/min)	3200	2364	1752	1293	885
Pressure (MPa)	4.8	6	8	10	12
Input speed (r/min)	320				
Dimensions (mm)	6120 × 2790 × 2450				
Weight (kg)	13000				
Diesel engine model	QSZ13-C550				
Diesel Engine Power (KW)	410				
Rated speed (r/min)	1750				

The product specifications and images provided may change due to design improvements and upgrades. Please feel free to inquire for more information.

## CBW-3200 Outline Dimension Drawing



## CBWH-3500 (Diesel engine power)



The CBWH-3500 reciprocating pump is a horizontal triplex reciprocating single-acting piston pump driven by a diesel engine and equipped with an automatic transmission gearbox and wireless remote control. It is mainly used in conjunction with non-excavator drilling rigs of around 500 tons, but can also be used for other purposes such as grouting, mine drainage, and long-distance water delivery. The pump has four flow rates and four pressures and has a wide range of flow rate and pressure changes, making it suitable for drilling and backfilling of different diameters. The design incorporates new concepts, new structures, new materials, and new processes. It has a compact structure, light weight, small size, and beautiful appearance, and is easy to install and maintain. It has the characteristics of high output pressure, long service life of vulnerable parts, and stable performance.

Horizontal triplex reciprocating single acting piston pump	
Stroke (mm)	200
Cylinder diameter (mm)	200
Flow (L/min)	3500 2600 1900 1300
Pressure (MPa)	4.5 6 8 10
Input speed (r/min)	320
Dimensions (mm)	6120×2790×2450
Weight (kg)	13000
Diesel engine model	QSZ13-C550
Diesel Engine Power (KW)	410
Rated speed (r/min)	1850

The product specifications and images provided may change due to design improvements and upgrades. Please feel free to inquire for more information.

## CBWH-3500 Outline Dimension Drawing

